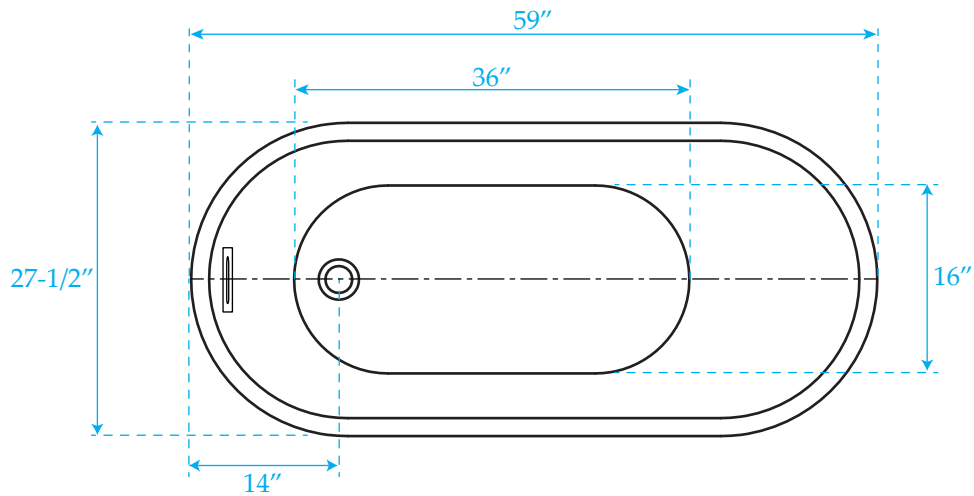
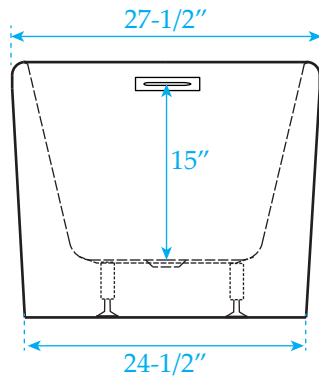
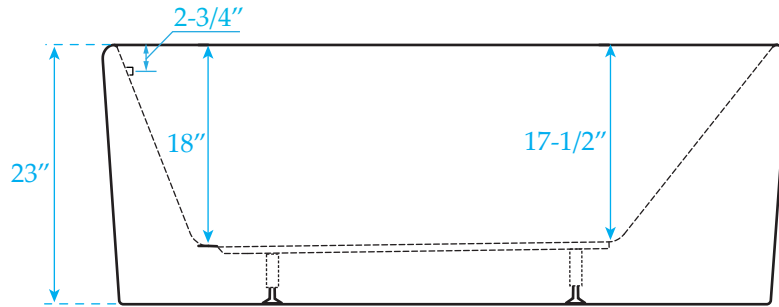


WYNDHAM COLLECTION

Exterior Size - 59"L x 27-1/2"W x 23"H
Depth at Drain - 18"
Drain to Overflow - 15"
Maximum Fill - 55 Gallons
Note - All Measurements are $\pm 1/2$ "



WC-BTE3011-59